

### 1 DESCRIPTION



	PBJ (Jamb)	PBS (Square)	PBR (Round)
SIZE (W x H x D)	38 x120 x16 mm	120 x120 x16 mm	152 mm Ø x16 mm
PLAIN FACE	PBJ-P	PBS- P	PBR- P
TEXT ONLY	PBJ	PBS	PBR
TEXT + SYMBOL	PBJ-H	PBS-H	PBR- H

### 2 ACCESSORIES



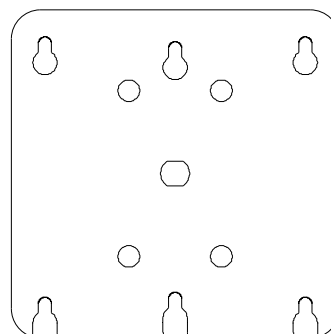
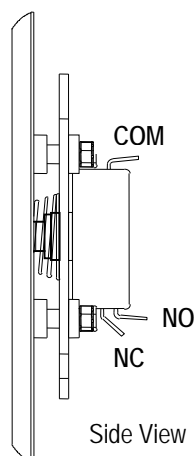
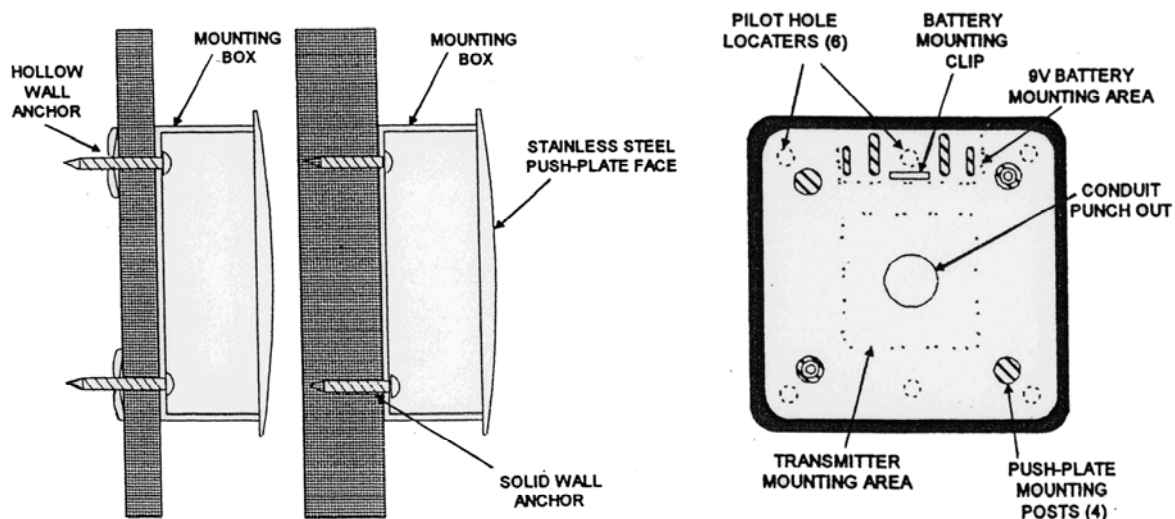
**EAS RF (WIRELESS SOLUTION)**  
Range of radio-controlled receiver and transmitters

### 3 TECHNICAL SPECIFICATIONS

Max. contact voltage	: 42 V AC
Max. contact current	: 0.5 A
Output contacts	: dry output contacts (NO, NC, COM)
Front face material	: stainless steel with scuff-resistant coating
Temperature range	: from -30° C to +55° C
Typical operating force	: 0.45 kg

## 4 INSTALLATION

1. If the push plate is to be hard-wired to the operator, remove either the knockout on the back or bottom of the box. Then route the appropriate wire to the box. For a wireless solution, use the EAS RF, our range of radio-controlled receiver and transmitters.
2. Drill pilot holes in plate box as shown in drawing below.
  - 4 holes for square and round box
  - 2 holes for jamb box
3. Drill holes in the wall using the mounting template.
4. Insert appropriate fastener (screw, toggle bolt, etc.) through box and into wall, then tighten box to surface.
5. Finger-tighten the enclosed hex-head screws into the mounting boxes.
6. Place the push plate holes over the hex-head screws. Use the enclosed hex key to fully tighten the screws.
7. Test push plate activation.



Backplate of PBR and PBS



The push plates are constructed with durable stainless steel and painted with scuff-resistant coatings. To clean the plates, use only a damp, non-abrasive cloth. Regular cleaning with harsh solvents or abrasive materials may cause deterioration of the paint coating. Please make the end-user aware of this procedure.



EU declaration of conformity  
 BEA hereby declares that the product PUSH PLATES is in conformity with the basic requirements and the other relevant provisions of the directive LVD 2006/95/EC.